

DRAGO II

**EVERY COMBINE YIELDS MORE
WITH A DRAGO LEADING THE WAY.**



Kernel Capture Technology™ 2
Product Features 6
Options 12
Maintenance • Parts • Service 16
Olimac 18
Specifications 21



***THE DRAGO SERIES II: WHEN YOU PLAN TO BUY A CORN HEAD,
MAKE SURE IT PAYS YOU BACK.***

Today's corn hybrids are engineered to yield more, dry faster and shell easier, but most ag equipment brands have done little in changing their corn heads to harvest them. The Drago II corn head is specifically designed and engineered to harvest today's genetics – to capture more yield with unsurpassed durability and ease of maintenance. Drago II is a product of Olimac – a global company, passionately dedicated to creating the highest-quality, best-performing corn heads in the industry.



KERNEL CAPTURE TECHNOLOGY™

**AFTER ALL YOU DO TO
GROW MORE CORN,
THIS IS HOW
TO BRING
MORE HOME.**





DRAGO II

KERNEL CAPTURE TECHNOLOGY™: GETTING MORE OUT OF YOUR COMBINE STARTS WITH GETTING MORE IN.

From the stalk-grabbing ability of its overlapping gathering chains, the thoughtful positioning of its chopper and the added length of its knife rollers, every feature of the Drago II corn head is engineered for the singular purpose of capturing yield. The heart of this system lies just within the point of stalk entry — where corn meets machine. It is here where Olimac revolutionized harvest technology with the introduction of Automatic Self-Adjusting Deck Plates.



Automatic Self-Adjusting Deck Plates

University research shows that a gap of only 1/8 inch between stalks and deck plates can cause measurable yield loss to occur. And considering today's increasingly higher plant populations, the amount of plant material corn heads must process, and hybrids that dry down faster, the potential for yield loss increases, too. On every farm – at every harvest – the Drago Automatic Self-Adjusting Deck Plates prove their value in capturing more of the corn you've grown.*

*Graeme Quick field research, Iowa State University.

Spring-Loaded Deck Plate Piston

The spring-loaded deck plate piston design is simple and requires little maintenance.





Automatic Self-Adjusting Deck Plates

Low-maintenance, spring-loaded deck plate pistons constantly apply pressure to incoming stalks, automatically minimizing plate gap where yield loss can be significant.

Independent Row Units

Deck plate gaps, both in-row and row-to-row, are determined by the size of stalks running through them, compared to hydraulic systems that set the same plate gap for every row unit.

Angled Chain Design

Gathering chains angle apart – front to back – to release stalks and avoid excessive trash from entering the combine.

Poly Chain Guides

Each gathering chain has five poly chain guides that extend the life of the chain and are reversible after one side has worn.

Overlapping Gathering Chains

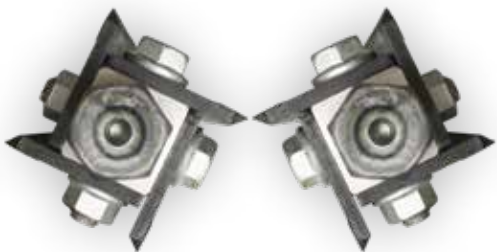
Oversized idler sprockets, which reduce chain wear, are forward-placed, allowing overlapping chain fingers to grab and capture stalks for processing – a highly valued feature when harvesting downed corn.

PRODUCT FEATURES

WHEN IT COMES TO CAPTURING MORE CORN, THE LONGER THE KNIFE ROLLER, THE BETTER.

Nobody builds a longer knife roller than Drago

The industry's longest knife rollers combine with a smaller diameter for added plant processing time. The extra time means roller tips can run slower, resulting in less ear bounce – less ear loss – without having to reduce combine speed. No other knife roller measures up to the performance of a Drago knife roller.



More Processing – Less Ear Loss

A knife-to-knife design allows stalks to travel the full length of our knife rollers – back into the corn head – before ears are removed. Competitive brands limit stalk travel to just the first few inches of their rollers, risking yield loss and causing uneven wear.

Slower Tip Speed

Having the longest knife roller with a smaller diameter reduces tip speed – corn isn't pulled down through knife rollers as fast – for less ear bounce, greater ear retention and reduced butt-shelling.

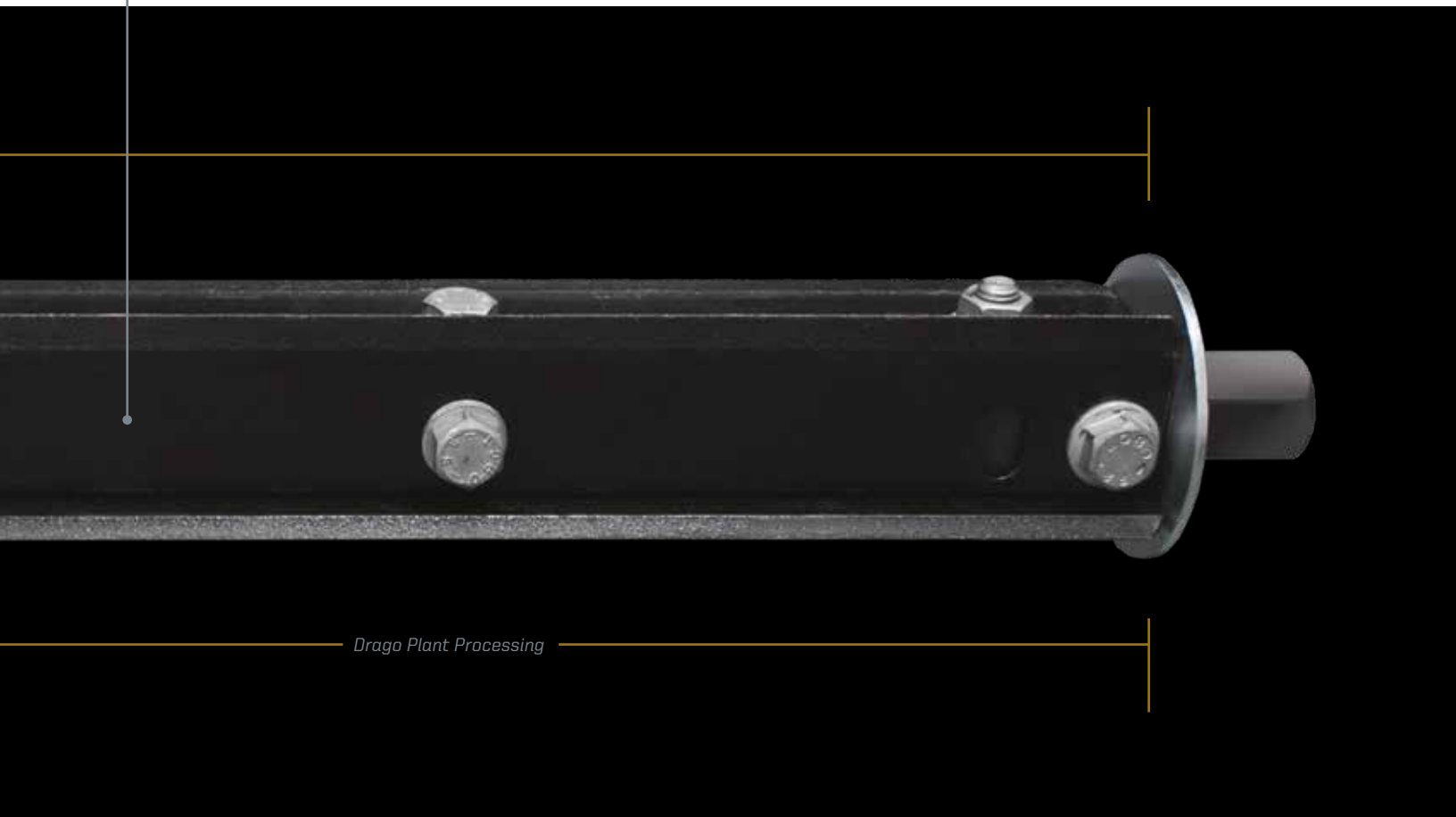
Built-in Durability

Drago knife roller blades have a tungsten carbide-applied edge for added strength and wear. Individual blades can be removed and/or adjusted without having to replace the entire knife roller.



Knife Roller Supports

Drago builds bracket supports to keep knife rollers from spreading and breaking.



Drago Plant Processing



Nose Cone Bearings

Bearings are built right into the nose cone. A dirt barrier is milled in to protect seals and bearings when tips are closer to the soil, such as in downed-corn situations.

THIS IS THE CORN HEAD THAT MAKES EVERY HYBRID YIELD BETTER.

Corn heads may all look the same, but they certainly don't perform the same. Most yield loss today occurs at the corn head rather than the combine behind it – ears bouncing off bonnets, butt-shelling at pulldown, kernels lost through deck plates – everything and more the Drago II works to prevent.



Aggressive Overlapping Chains

Drago gathering chains, which ride on oversized sprockets to reduce wear, are placed in front of knife rollers where overlapping chain fingers grab and capture stalks for processing. This feature is highly valued when harvesting downed corn.

Angled Separation for Less Trash

Drago's gathering chains angle apart – front to back – so stalks are not broken off when being pulled down and avoiding excessive trash from entering the combine.



Aggressive Feeding Blocks

This option can be simply added to the gathering chain guide rails to increase chain overlap and aggressiveness at the rear of the row unit to improve feeding in tough, trashy conditions.

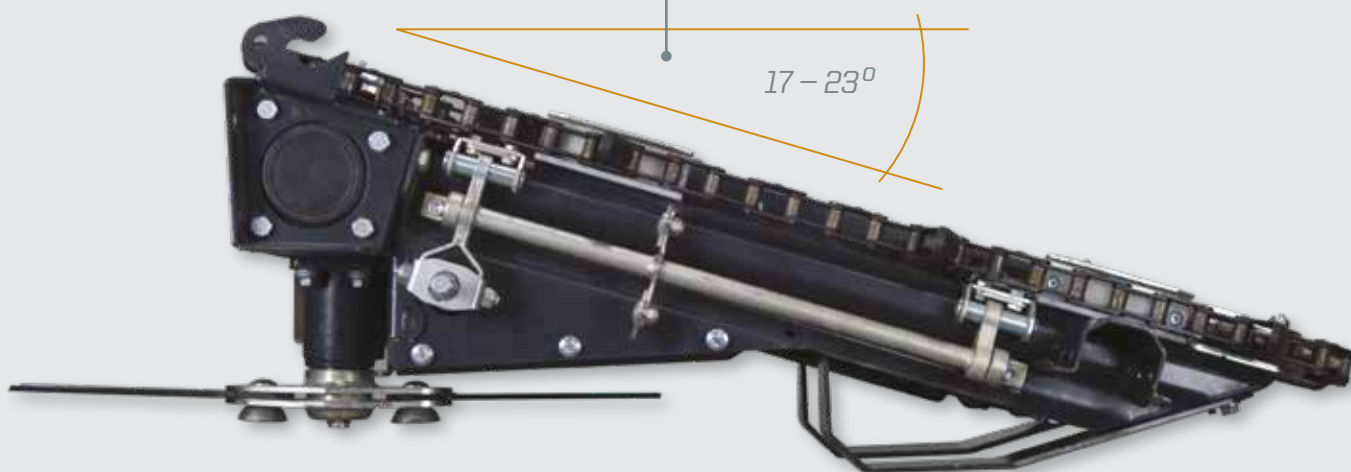


Spring-Loaded Snout-Pressure

This feature allows you to apply and adjust down pressure to your snouts, keeping your points under downed corn.

Lowest Profile Angle

The Drago II corn head features a working angle of 17-23 degrees – the flattest in the industry. The low angle allows ears to move up the row unit with ease and reduce ear loss out the front. This lower working angle allows the Drago II to work through downed corn more efficiently, too.



Micro-Adjustable Snouts

Wrench-free knobs for both snout angle and spring pressure adjustments offer quick and easy micro-adjustments when you need it.



Durable Tips

Stronger, more durable points add longer life. The tip has a larger surface area and is designed for better wear.

CHOPPER PLACEMENT MAKES A DIFFERENCE FOR THOSE WHO PUT KERNEL CAPTURE FIRST.

The Drago II “Yield First” design features a rear-mounted chopping system that is unlike any other brand. The chopping system — placed well back on each row unit — allows ears to be harvested before the stalk is chopped. This is especially beneficial when plants have poor ear retention and when harvesting downed corn. The Drago difference isn’t just that stalks get chopped, but *when* they are chopped.

Efficient Design

The Drago II’s rear-mounted chopper system is more efficient because of the short drive train, and because it is directly driven from the main gearbox. Other corn heads with a forward-mounted chopping design require more gears, increasing horsepower consumption.

Balanced Benefits with Ease of Maintenance

Drago’s “Yield First” design provides an optimum balance of maximized harvesting and quality chopping in both optimal and tough conditions. Chopper maintenance is quite simple. Drago knives feature a tungsten carbide edge and are easily reversed.



Drago II



Controlled Chopping

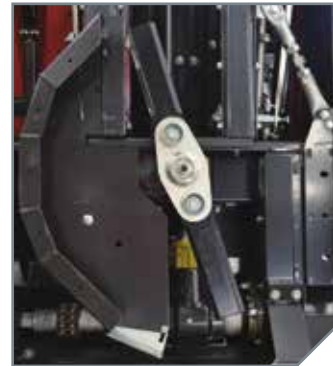
The Drago II chopping system is designed to deliver optimum chop quality without impacting yield. Unlike other brands, Drago chopping blades are placed behind knife rollers so they don't strike the plant until it is under control from the pinch received from the knife rollers. This is crucial, so no matter what conditions you face – from leaning to downed corn – yield is not sacrificed.



Competitor

Add a Chopper at Any Time

You have the option to add a chopper later without having to trade corn heads. Installation and removal of the gearbox is completed with just four bolts and a gasket, minimizing replacement downtime in the field.



Turbo Chop Shield

This option helps make chop residue finer by keeping it inside the shield longer. This is a simple and effective option that can be added later to any Drago corn head.

DRAGO II OPTIONS

**YOU DO EVERYTHING YOU CAN
TO GROW MORE CORN.**

**WE DO
EVERYTHING
WE CAN TO
CAPTURE
MORE OF IT.**



AUTOMATIC DECK PLATES

DRAGO
SERIES II
with AUTOMATIC DECK PLATES

DRAGO II CORN HEAD OPTIONS AND ACCESSORIES FOR YOUR SPECIFIC HARVEST NEEDS.

The Drago II is engineered to efficiently process today's broad variability of hybrids in a wide range of harvest and field conditions. To meet the specific field and agronomic needs of your farm, Drago offers a variety of corn head options and accessories that accommodate any cropping system, every tillage practice and harvest situation.



Long Downed-Corn Auger

For rigid heads only, the long downed-corn auger keeps downed corn from leaning over the side and losing hanging ears and centers stalks back over the knife rollers.



Tall Corn Kit

Reduces ear loss in tall, downed and lodged corn. The attachment can be adjusted up and down and out of the way if not needed.



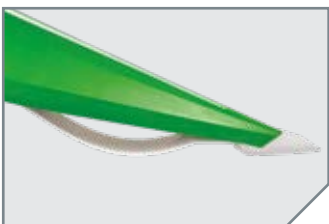
Short Downed-Corn Auger

Short downed-corn augers are available for all folding and rigid heads.



Aggressive Tip

This tip provides a lower point that is more aggressive for getting under severe downed corn.



Extended Bubble Kit

Ideal for irrigated areas to protect snouts from pivot tracks.



HeadSight Header Height Control

Leading header height control technology that's a perfect marriage with Drago's technology for maximum yield and harvest efficiency. Foresight Magic Power Boost available.



Field-to-Field or Farm-to-Farm

The folding process is fast, safe and easy. Just hit the switch and watch it fold. Drago's exclusive technology automatically self-times the cross augers and tow shafts. No added hydraulics for folding bonnet.

Color Options to Match Your Combine

The Drago II corn head is available in one of five poly color options – green, red, yellow, gray and dark gray – that match the colors of five popular combine brands.



THE DRAGO II CORN HEAD ISN'T JUST BUILT TO WORK BETTER, IT'S BUILT TO WORK LONGER.

When you build a corn head for harvest efficiency, you also know the importance of a timely harvest. We know there is never a good time for a corn head not to perform, which is why Drago corn heads are engineered for harvest dependability. When service is needed, having a complete and available supply of parts at Dragotec USA is a priority. We are so confident of Drago parts supply, in fact, that during harvest, if any part is not available from any of our North American distribution centers – including your local authorized Drago dealer, regional part hubs or our North American headquarters – the replacement part and shipping are free. Ask about our “We’ve Got Your Back” guarantee.

Every part is built for durability and tested for precision. That's every part, not every 10th part like other corn head brands.



Main Gearbox

Drago is recognized for its precision engineering and manufacturing. It's the only corn head with gearboxes milled so precisely that no shimming is necessary, providing easy removal and service.



Seize-Free Tensioner

Drago's gathering chain tensioner can be greased to act as a filler and seals out dirt and debris. Allowing the tensioner to work freely all season long increases the life of the gathering chain.

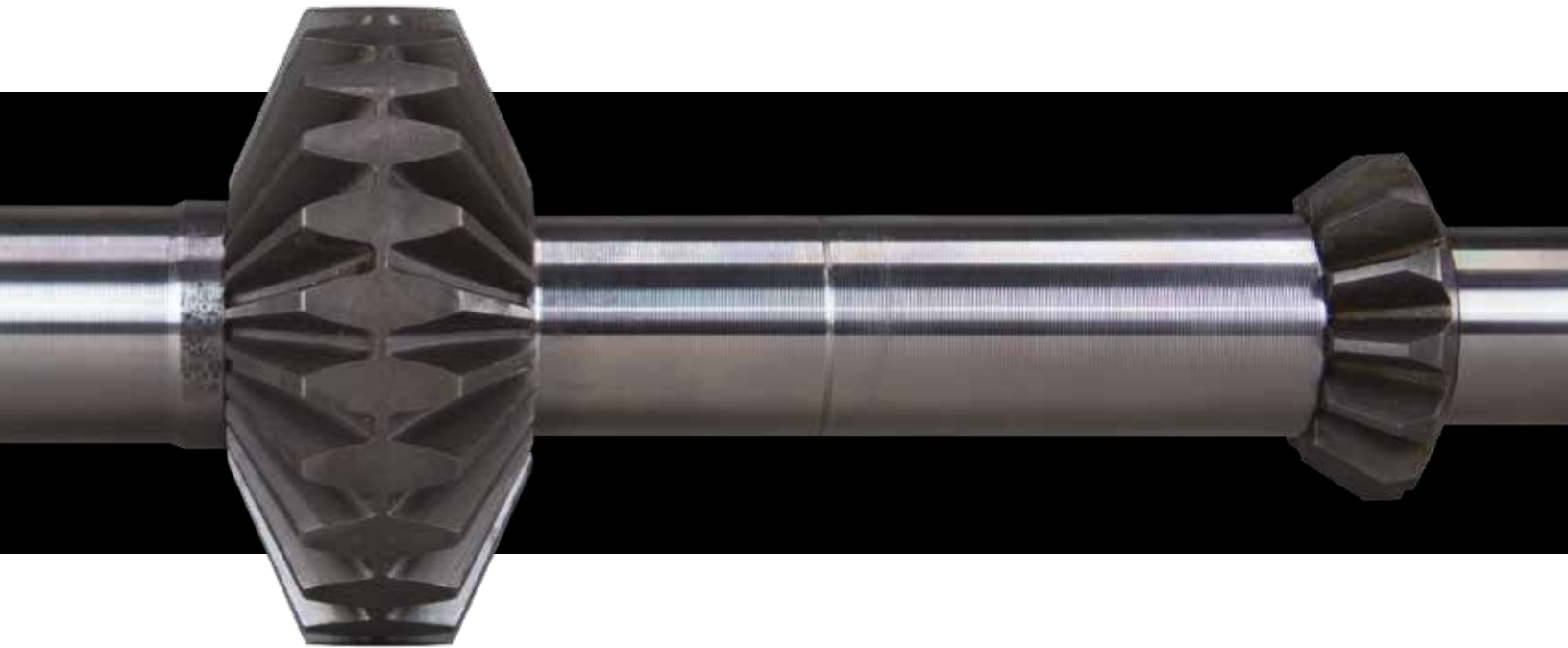


Heavy-Duty Drives

The HD Gearbox is standard for all 12-row and larger corn heads and available in all row spacings.

**CONFIDENCE IN AVAILABLE PARTS
AND KNOWLEDGEABLE SERVICE –
WE GUARANTEE IT.**

Along with parts availability, you'll find authorized Drago dealers are trained and fully knowledgeable in servicing the Drago II corn head. We also provide a full set of video instructions for those who desire to service and maintain the Drago corn head on their own.



**Gathering Chain
Drive Bearings**

Two bearings are stacked, forming a grease reservoir between them. Most competitors have only a single bushing or bearing.



Easy Fluid Check

Grease level is checked with a simple dipstick located and filled from the top.



Bonnet Lift

After the T-handle is pulled, a gas strut lifts and holds the bonnet and snout up and out of the way for easier access.

***AN UNSURPASSED
DEDICATION
BY ONE COMPANY,
BUILDING ONE PRODUCT,
TO HARVEST ONE CROP.***

PASSIONATELY DEDICATED TO CREATING THE HIGHEST-QUALITY, BEST-PERFORMING CORN HEAD IN THE INDUSTRY.

Olimac is a global company dedicated to the manufacture of one product that harvests one crop. This unique focus enables the company to concentrate on research and continuous innovations.

The result is the Drago corn head, a product of high technology – built in the most advanced and automated plant of its kind in the world – engineered for exceptional performance and durability: perfect husking, complete harvest without waste, outstanding working speed.

Built for today's agriculture

Every feature and component is designed for today's agriculture – including the plant genetics and agronomic practices that dramatically impact the technologies required for efficient harvest.

With its products at work in cornfields around the world, Olimac is a global leader – the industry standard – for corn head design, manufacturing and harvest efficiency.

Nobody builds a corn head like Olimac. Take the factory tour and see for yourself at dragotec.com/about.



Olimac works closely with Dragotec USA for design and engineering refinements that meet the unique demands of American corn producers.



Precision engineering and manufacturing deliver exceptional performance. Drago builds the only corn head with gearboxes milled so precisely that no shimming is necessary to figure proper backlash setting.



One by one, each mechanical component mounted onto a Drago corn head is measured by sophisticated instruments and checked for correct dimensions.

COUNT ON DRAGO TO PUT MORE CORN IN YOUR BIN FOR MORE MONEY IN YOUR POCKET.

Your authorized Drago dealer is fully trained and knowledgeable for servicing Drago corn heads. We also provide a full set of video instructions for those who want to service and maintain a Drago corn head on their own. For more information, contact your local Drago dealer, or visit dragotec.com to find a dealer near you.

"We've Got Your Back" parts guarantee

Your authorized Drago dealer carries a full inventory of Certified Drago Parts to meet your service and maintenance needs. We also offer peace of mind with a "We've Got Your Back" parts availability guarantee.

During harvest, Drago replacement parts and shipping are free if they must be ordered from the manufacturer because they aren't available from your authorized Drago dealer, one of our three regional warehousing hubs or our North American headquarters.

Want even more peace of mind? We've never had to fulfill the guarantee.



DRAGO II HEAD SPECIFICATIONS

Available for all combine makes and models.

MODEL NUMBER	NUMBER OF ROWS	ROW SPACING (IN.)	NON-CHOPPING WEIGHT (LBS.)	CHOPPING WEIGHT (LBS.)	TRANSPORT WIDTH (FT.)
430SII	4	30"	3460	3619	10'3"
630SII	6	30"	4836	5074	15'3"
636SII	6	36"	5190	5428	18'3"
638SII	6	38"	5214	5452	20'3"
640SII	6	40"	5432	5670	22'3"
820SII	8	20"	5562	5879	13'5"
822SII	8	22"	5684	6001	14'9"
830SII	8	30"	6287	6604	20'5"
836SII	8	36"	6927	7244	24'3"
838SII	8	38"	7073	7391	25'7"
840SII	8	40"	7229	7547	26'11"
1020SII	10	20"	7184	7581	16'9"
1022SII	10	22"	7396	7793	18'6"
1030SII	10	30"	7764	8161	25'3"
1036SII	10	36"	8179	8576	30'4"
1038SII	10	38"	8364	8761	32'0"
1220SII	12	20"	8325	8801	22'6"
1222SII	12	22"	8688	9165	23'0"
1230SII	12	30"	9325	9801	30'6"
1236SII	12	36"	9788	10264	36'3"
1238SII	12	38"	10097	10573	37'9"
1240SII	12	40"	TBA	TBA	TBA
1620SII	16	20"	10387	12022	26'9"
1622SII	16	22"	10697	11332	30'6"
1630SII	16	30"	12289	12924	41'0"
1820SII	18	20"	11946	12661	30'3"
1822SII	18	22"	12413	13127	33'3"
1830SII	18	30"	13581	14295	45'0"

FOLDING					
830SII-F	8	30"	6551	6868	10'10"
1230SII-F	12	30"	10074	10550	16'3"
1236SII-F	12	36"	10748	11224	20'10"
1238SII-F	12	38"	10947	11423	21'10"
1240SII-F	12	40"	TBA	TBA	TBA
1630SII-F	16	30"	12720	13355	21'11"
1820SII-F	18	20"	12902	13616	17'4"
1822SII-F	18	22"	13042	13757	19'0"

*All weights listed are estimates only.



*Dragotec USA
3701 30th Ave.
Fenton, IA 50539
(888) 789-2723
dragotec.com*